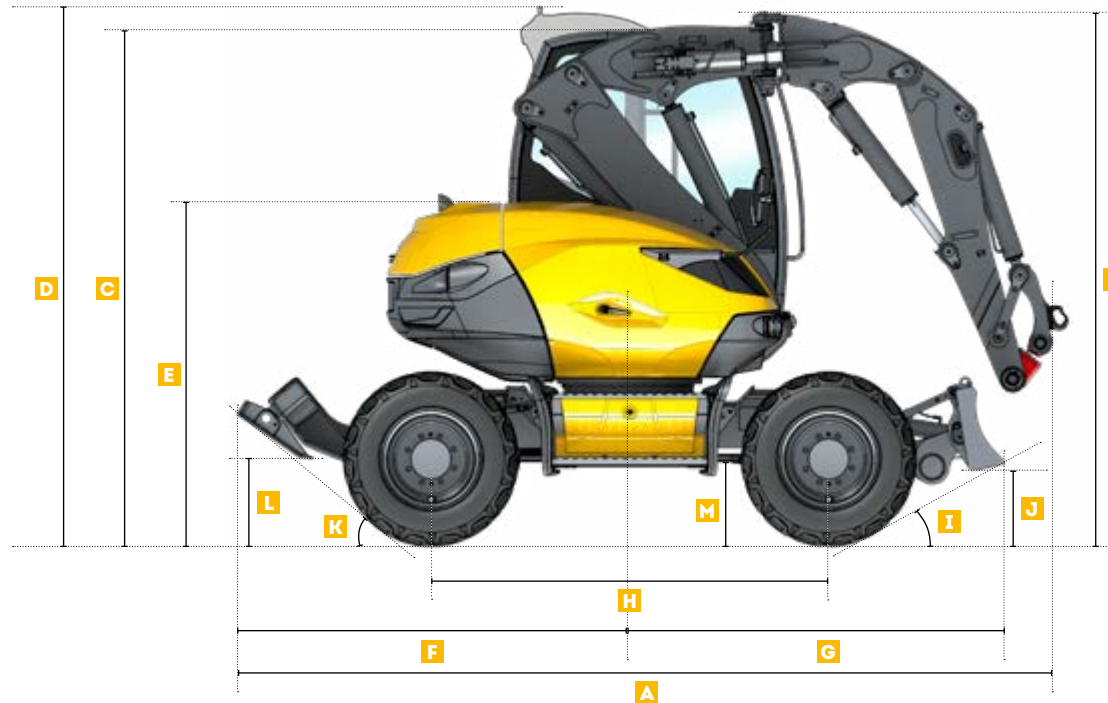


7.9.11MWR

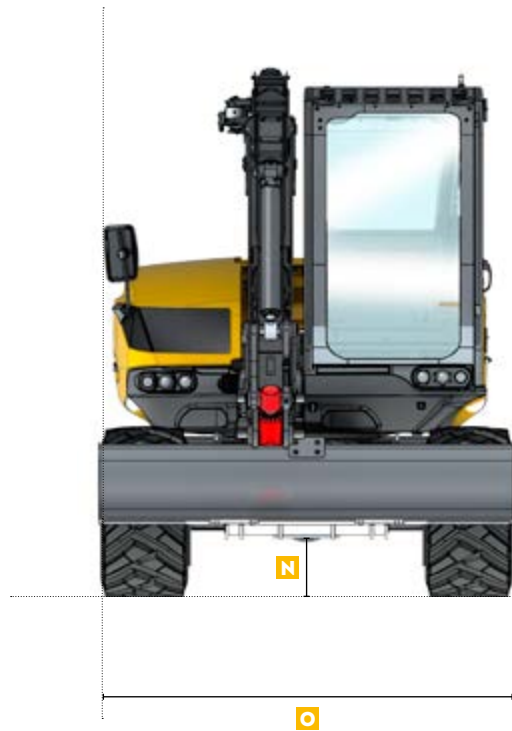
TECHNICAL DATA



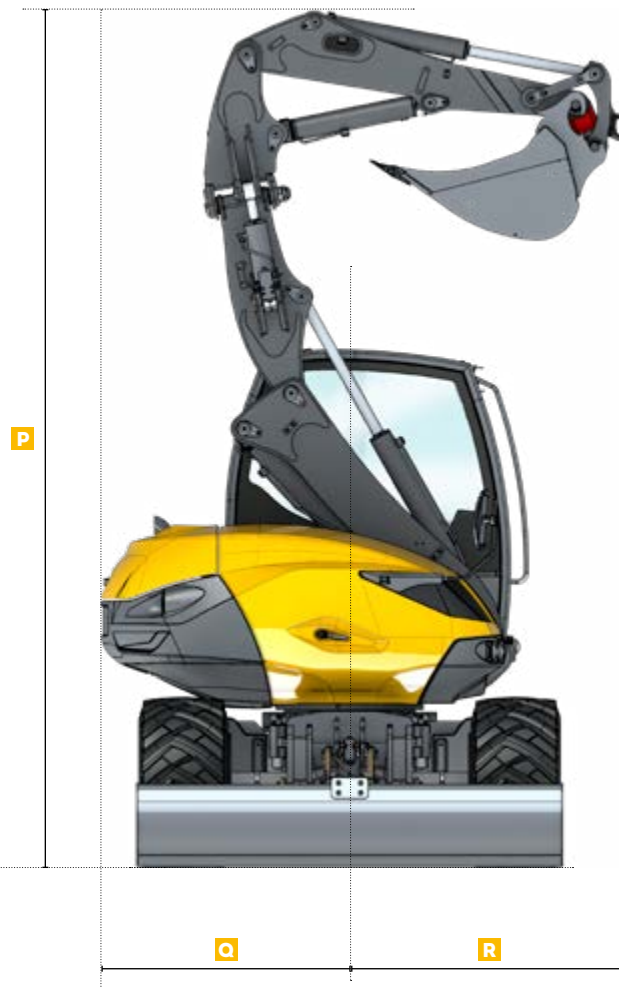
MACHINE DIMENSIONS	7MWR	9MWR	11MWR
A Overall length with attachment (without stabilisers for the 7MWR)	3730 mm (12'3")	4418 mm (14'6")	4836 mm (15'1")
B Overall height of structures	2816 mm (9'3")	2945 mm (9'8")	3256 mm (10'8")
C Cab height (without attachment)	2816 mm (9'3")	2829 mm (9'3")	2944 mm (9'8")
D Cab height (without attachment, with AC option)	2944 mm (9'8")	2957 mm (9'8")	3072 mm (10'1")
E Cover height	1865 mm (6'1")	1886 mm (6'2")	2030 mm (6'8")
F Overhang of lower frame on stabilisers side (without stabilisers for the 7MWR)	1550 mm (5'1")	2159 mm (7'1")	2275 mm (7'6")
G Overhang of lower frame on blade side	2030 mm (6'8")	2076 mm (6'1")	2230 mm (7'4")
H Wheelbase	2100 mm (6'11")	2200 mm (7'3")	2300 mm (7'7")
I Blade crossing angle	32°	28°	32°
J Height with blade raised	429 mm (1'5")	429 mm (1'5")	545 mm (1'9")
K Stabilisers crossing angle	-	39°	36°
L Height with stabilisers raised	-	430 mm (1'5")	413 mm (1'4")
M Ground clearance at axle	430 mm (1'5")	430 mm (1'5")	460 mm (1'6")

7.9.11MWR

TECHNICAL DATA



MACHINE DIMENSIONS	7MWR	9MWR	11MWR
N Ground clearance at gearbox	310 mm (1')	310 mm (1')	350 mm (1'2")
O Width of blade	2180 mm (7'2")	2310 mm (7'7")	2500 mm (8'2")



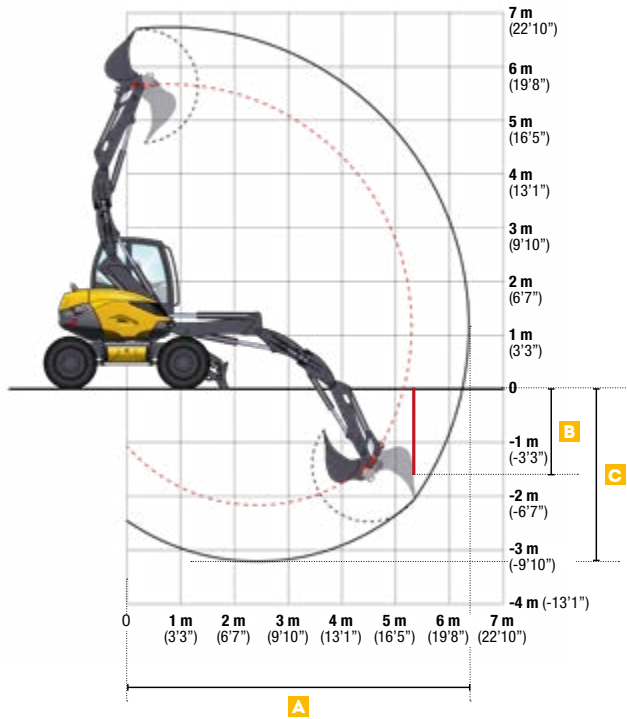
MACHINE DIMENSIONS	7MWR	9MWR	11MWR
P Height in folded position	4410 mm (14'6")	4630 mm (15'2")	5090 mm (16'8")
Q Tail swing radius	1296 mm (4'3")	1350 mm (4'5")	1445 mm (4'9")
R Front radius	1492 mm (4'11")	1516 mm (4'12")	1851 mm (6'1")



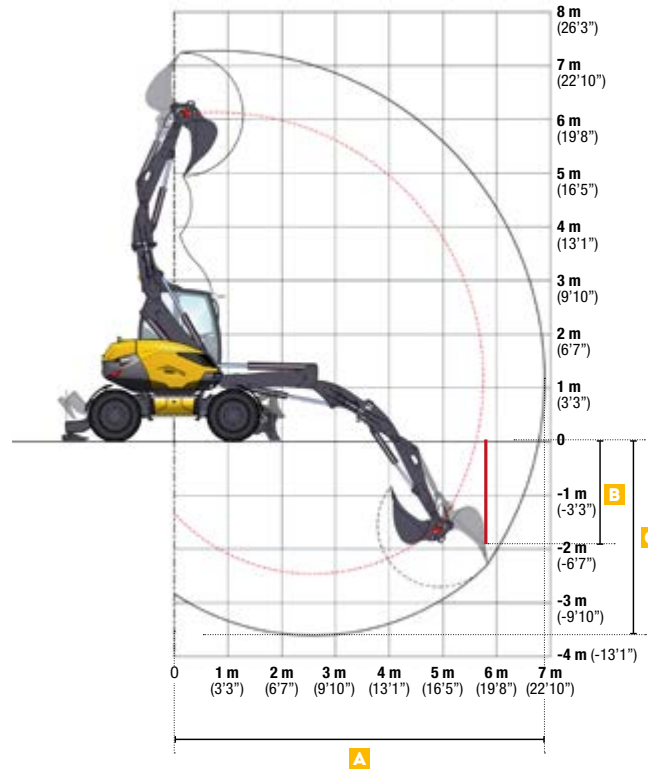
7.9.11MWR DIGGING



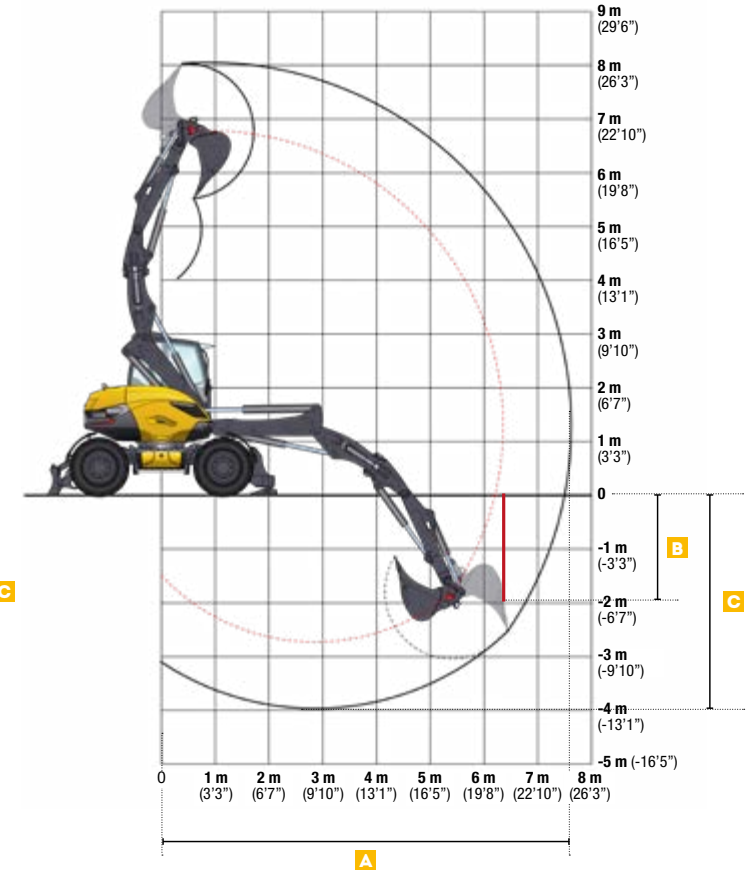
7MWR



9MWR



11MWR



MACHINE DIMENSIONS

	7MWR	9MWR	11MWR
A Maximum reach	6220 mm (20'5")	6700 mm (22')	7500 mm (24'7")
B Vertical digging depth maximum with standard bucket	1657 mm (5'5")	1928 mm (6'4")	1949 mm (6'5")
C Maximum digging depth	3030 mm (9'11")	3500 mm (11'6")	3800 mm (12'6")

DIGGING PERFORMANCE

	7MWR	9MWR	11MWR
Break-out force (max.)	4300 daN (9,666 lbf)	5000 daN (11,240 lbf)	6000 daN (13,500 lbf)
Penetration/Tear-out force (max.)	2500 daN (5,620 lbf)	2800 daN (6,300 lbf)	3400 daN (7,650 lbf)