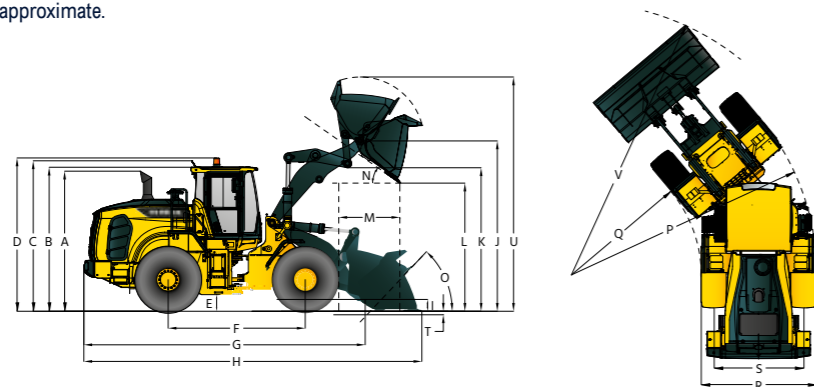


DIMENSIONS

HL960A DIMENSIONS

All dimensions are approximate.



Description	HL960A		HL960AXT	
	mm	ft in	mm	ft in
A. Height to Top of Exhaust Pipe	3,340	10' 11"	3,340	10' 11"
B. Height to Top of Cabin	3,450	11' 3"	3,450	11' 3"
C. Height to Top of Product Link Antenna	3,505	11' 6"	3,505	11' 6"
D. Height to Top of Warning Beacon	3,580	11' 9"	3,580	11' 9"
E. Ground Clearance	410	1' 4"	410	1' 4"
F. Wheelbase	3,300	10' 10"	3,300	10' 10"
G. Overall Length (without bucket)	6,870	22' 6"	7,425	24' 4"
H. Shipping Length (with bucket level on ground)	8,140	26' 8"	8,695	28' 6"
I. Hinge Pin Height at Carry Position	465	1' 6"	600	2'
J. Hinge Pin Height at Maximum Lift	4,105	13' 6"	4,535	14' 11"
K. Lift Arm Clearance at Maximum Lift	3,455	11' 4"	3,885	12' 9"
L. Dump Clearance at Maximum Lift and 45° Discharge	2,935	9' 8"	3,365	11'
M. Reach at Maximum Lift and 45° Discharge	1,285	4' 2"	1,380	4' 6"
N. Dump Angle at Maximum Lift and Dump (on stops)	50		50	
O. Roll Back Angle	Ground	42	42	
	Carry	47	48	
P. Clearance circle (diameter) to outside of tyres	12,060	39' 6"	12,060	39' 6"
Q. Clearance Circle (diameter) to inside of tyres	6,430	21' 1"	6,430	21' 1"
R. Width over tyres (unloaded)	2,770	9' 1"	2,770	9' 1"
S. Tread Width	2,160	7' 1"	2,160	7' 1"

OPERATING SPECIFICATIONS WITH BUCKETS

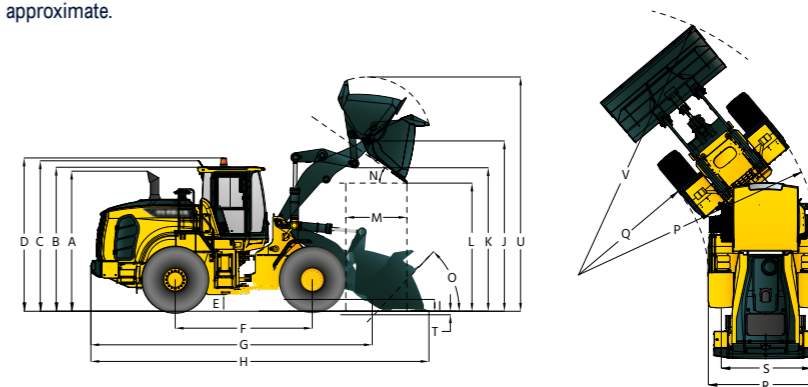
Linkage	bucket type	Standard Linkage					High Lift Linkage Change
		general purpose - pin on				General purpose - hook on	
		Bolt-on cutting edges	1 Piece tooth	2 Piece tooth	2 Piece tooth & segment	Bolt-on cutting edges	
Capacity - rated	m ³ (yd ³)	3.3 (4.3)	3.2 (4.2)	3.2 (4.2)	3.3 (4.3)	3.3 (4.3)	-
Capacity - rated at 110% fill factor	m ³ (yd ³)	3.6 (4.7)	3.5 (4.6)	3.5 (4.6)	3.6 (4.7)	3.6 (4.7)	-
Width	mm (ft/in)	2,900 (9' 6")	2,950 (9' 8")	2,970 (9' 9")	2,970 (9' 9")	2,900 (9' 6")	-
Dump clearance at maximum lift and 45° discharge	mm (ft/in)	2,935 (9' 7")	2,810 (9' 3")	2,775 (9' 2")	2,775 (9' 2")	2,775 (9' 2")	+430 (+1' 5")
Reach at maximum lift & 45° discharge	mm (ft/in)	1,285 (4' 3")	1,370 (4' 6")	1,390 (4' 7")	1,390 (4' 7")	1,465 (4' 10")	+95 (+4")
Digging depth	mm (ft/in)	90 (3.5")	115 (4.5")	125 (4.9")	125 (4.9")	90 (3.5")	+55 (+2")
Shipping length (with bucket)	mm (ft/in)	8,140 (26' 8")	8,290 (27' 2")	8,330 (27' 4")	8,330 (27' 4")	8,395 (27' 7")	+555 (+1' 10")
Overall height with bucket at maximum lift	mm (ft/in)	5,640 (18' 6")	5,640 (18' 6")	5,640 (18' 6")	5,640 (18' 6")	5,820 (19' 1")	+430 (+1' 5")
Loader clearance circle with bucket at carry position (V)	mm (ft/in)	13,410 (44')	13,570 (44' 6")	13,620 (44' 8")	13,620 (44' 8")	13,570 (44' 6")	+450 (+1' 6")
Static tipping load, straight (No tyres deflection)	kg (lbs)	14,300 (31,525)	14,500 (31,965)	14,500 (31,965)	14,250 (31,415)	13,080 (28,835)	-1,350 (-2,975)
Static tipping load, articulated (No tyres deflection)	kg (lbs)	12,410 (27,360)	12,580 (27,735)	12,580 (27,735)	12,360 (27,250)	11,350 (25,020)	-1,300 (-2,865)
Breakout force	kg (lbs)	16,670 (36,750)	17,705 (39,030)	17,705 (39,030)	16,670 (36,750)	13,870 (30,580)	-240 (-530)
Operating weight*	kg (lbs)	19,200 (42,330)	19,125 (42,160)	19,125 (42,160)	19,250 (42,440)	19,590 (43,190)	+830 (+1,830)

* All height and tyre related dimensions are with standard 23.5 R25, L3 tyres.

DIMENSIONS

HL960AHD DIMENSIONS

All dimensions are approximate.



Description	HL960AHD		HL960AHDXT	
	mm	ft in	mm	ft in
A. Height to Top of Exhaust Pipe	3,340	10' 11"	3,340	10' 11"
B. Height to Top of Cabin	3,450	11' 3"	3,450	11' 3"
C. Height to Top of Product Link Antenna	3,505	11' 6"	3,505	11' 6"
D. Height to Top of Warning Beacon	3,580	11' 9"	3,580	11' 9"
E. Ground Clearance	410	1' 4"	410	1' 4"
F. Wheelbase	3,300	10' 10"	3,300	10' 10"
G. Overall Length (without bucket)	6,870	22' 6"	7,425	24' 4"
H. Shipping Length (with bucket level on ground)	8,140	26' 8"	8,695	28' 6"
I. Hinge Pin Height at Carry Position	465	1' 6"	600	2'
J. Hinge Pin Height at Maximum Lift	4,105	13' 6"	4,535	14' 11"
K. Lift Arm Clearance at Maximum Lift	3,455	11' 4"	3,885	12' 9"
L. Dump Clearance at Maximum Lift and 45° Discharge	2,935	9' 8"	3,365	11'
M. Reach at Maximum Lift and 45° Discharge	1,285	4' 2"	1,380	4' 6"
N. Dump Angle at Maximum Lift and Dump (on stops)	50		50	
O. Roll Back Angle	Ground	42	42	
	Carry	47	48	
P. Clearance circle (diameter) to outside of tyres	12,060	39' 6"	12,060	39' 6"
Q. Clearance circle (diameter) to inside of tyres	6,430	21' 1"	6,430	21' 1"
R. Width over tyres (unloaded)	2,770	9' 1"	2,770	9' 1"
S. Tread width	2,160	7' 1"	2,160	7' 1"

OPERATING SPECIFICATIONS WITH BUCKETS

Linkage	bucket type	Standard Linkage					High Lift Linkage Change
		general purpose - pin on				General purpose - hook on	
		Bolt-on cutting edges	1 Piece tooth	2 Piece tooth	2 Piece tooth & segment	Bolt-on cutting edges	
Capacity - rated	m ³ (yd ³)	3.3 (4.3)	3.2 (4.2)	3.2 (4.2)	3.3 (4.3)	3.3 (4.3)	-
Capacity - rated at 110% fill factor	m ³ (yd ³)	3.6 (4.7)	3.5 (4.6)	3.5 (4.6)	3.6 (4.7)	3.6 (4.7)	-
Width	mm (ft/in)	2,900 (9' 6")	2,950 (9' 8")	2,970 (9' 9")	2,970 (9' 9")	2,900 (9' 6")	-
Dump clearance at maximum lift and 45° discharge	mm (ft/in)	2,935 (9' 7")	2,810 (9' 3")	2,775 (9' 2")	2,775 (9' 2")	2,775 (9' 1")	+430 (+1' 5")
Reach at maximum lift & 45° discharge	mm (ft/in)	1,285 (4' 3")	1,370 (4' 6")	1,390 (4' 7")	1,390 (4' 7")	1,465 (4' 10")	+95 (+4")
Digging depth	mm (ft/in)	90 (3.5")	115 (4.5")	125 (4.9")	125 (4.9")	90 (3.5")	+55 (+2")
Shipping length (with bucket)	mm (ft/in)	8,140 (26' 8")	8,290 (27' 2")	8,330 (27' 4")	8,330 (27' 4")	8,395 (27' 7")	+555 (+1' 10")
Overall height with bucket at maximum lift	mm (ft/in)	5,640 (18' 6")	5,640 (18' 6")	5,640 (18' 6")	5,640 (18' 6")	5,820 (19' 1")	+430 (+1' 5")
Loader clearance circle with bucket at carry position (V)	mm (ft/in)	13,410 (44')	13,570 (44' 6")	13,620 (44' 8")	13,620 (44' 8")	13,570 (44' 6")	+450 (+1' 6")
Static tipping load, straight (No tyres deflection)	kg (lbs)	14,400 (31,750)	14,600 (32,190)	14,600 (32,190)	14,350 (31,415)	13,170 (29,035)	-1,350 (-2,975)
Static tipping load, articulated (No tyres deflection)	kg (lbs)	12,500 (27,560)	12,670 (27,930)	12,670 (27,930)	12,450 (27,450)	11,430 (25,200)	-1,300 (-2,865)
Breakout force	kg (lbs)	16,670 (36,750)	17,705 (39,030)	17,705 (39,030)	16,670 (36,750)	13,870 (30,580)	-240 (-530)
Operating weight*	kg (lbs)	19,450 (42,880)	19,375 (42,710)	19,375 (42,710)	19,500 (42,990)	19,840 (43,740)	+830 (+1,830)

* All height and tyre related dimensions are with standard 23.5 R25, L3 tyres.